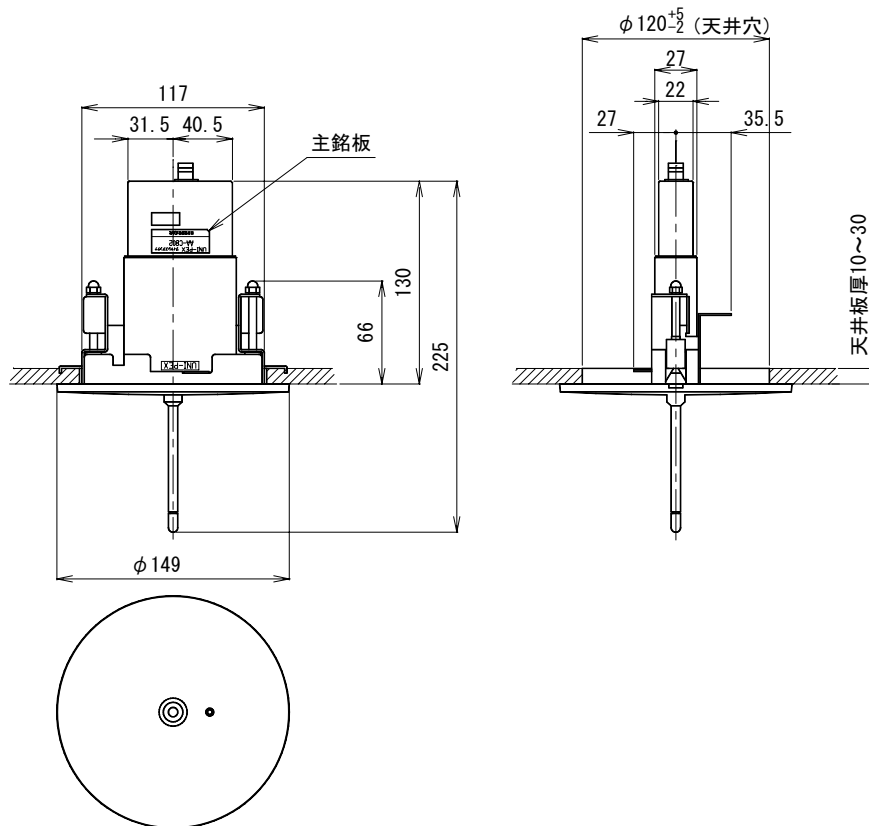


## WIRELESS ANTENNA

### AA-C802

POWER SUPPLY	DC9.3V/10.7V/12V (Overlapped with coaxial cable)
CURRENT CONSUMPTION	35mA or less
RECEIVING FREQUENCY	806MHz~810MHz
OUTPUT IMPEDANCE	50Ω~75Ω
BOOSTER AMPLIFIER GAIN	H:19dB/M:13dB/L:7dB
TEMPERATURE RANGE	-10°C~+50°C
SUITABLE COAXIAL CABLE	5C-FB(75Ω)、5D-FB(50Ω)
CONNECTION	BNC connector
FINISH	Antenna (ABS resin):OA ivory (Munsell 6.5Y7.8/0.9 approx.) Panel (ABS resin):White (Munsell 10Y/9 approx.)
DIMENSIONS	Antenna: 72(W) x 225(H) x 27(D) mm Panel: φ149(D) x 225(H) mm (Including antenna)
MASS	Antenna: approx. 110g Panel: approx. 220g
ACCESSORIES	BNC connector x2, Ceiling panel x1, Fitting metal x1, Instruction manual x1



Unit: mm

BUSINESS

AJ05