

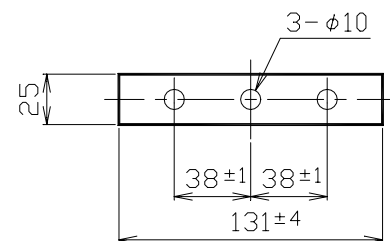
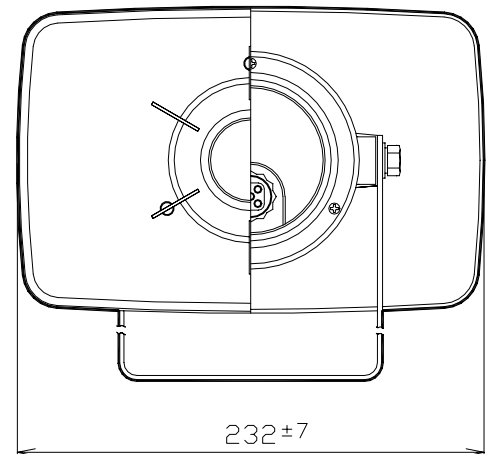
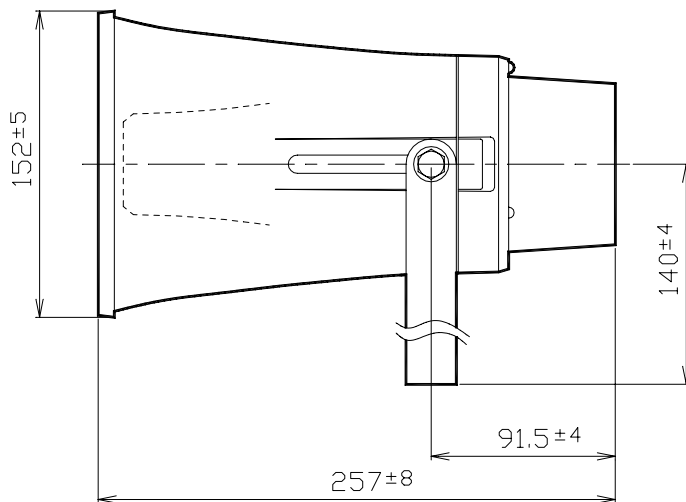
Specification

UNI-PEX

COMBINATION SPEAKER WITH BUILT-IN TRANSFORMER

CKT-230B

RATED INPUT	10W
RATED IMPEDANCE	1k Ω (10W)/2k Ω (5W)/4k Ω (2.5W) <High Impedance 100 Line>
SOUND PRESSURE LEVEL	105dB (at 1m, 1W input)
FREQUENCY RESPONSE	320Hz~7kHz (Deviation 20dB)
DIFFUSION	60° x 90° (Horizontal x Vertical, 2000Hz/-6dB)
FINISH	Horn Mouth (ASA Resin): Silver Gray (Munsell 5GY8.5/0.5 approx.) Reflector (ASA Resin) : Silver Gray (Munsell 5GY8.5/0.5 approx.) Cover (ASA Resin) : Silver Gray (Munsell 5GY8.5/0.5 approx.) Bracket: (SWCH6R)
FITTINGS	U-shape Bracket, S-size
APPLICABLE STANDARD	JIS C 0920(=IEC 60529, IP65)
DIMENSIONS	232(W) x 152(H) x 257(L) mm
MASS	Approx. 1.5kg



UNIT: mm

BUSINESS

JH01

Subject to change for improvement without notice.

製造元 日本電音株式会社 販売元 ユニペックス株式会社