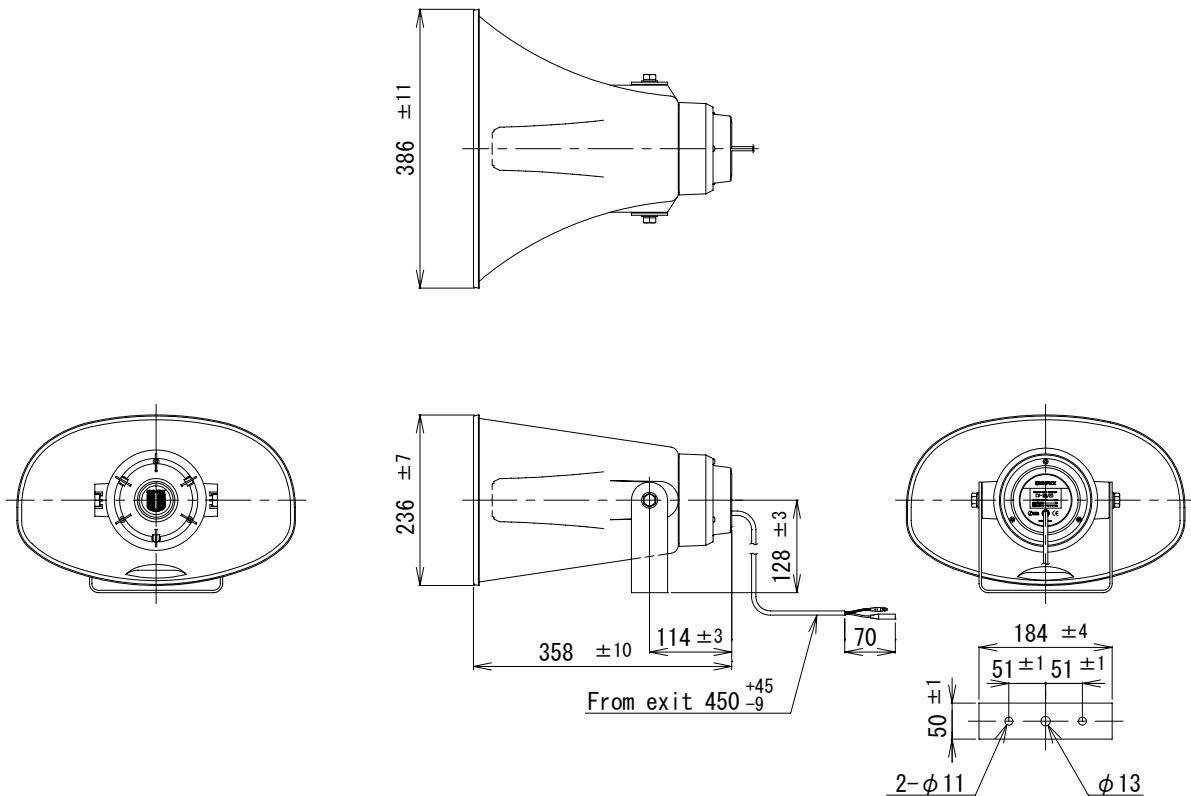


COMBINATION SPEAKER

CV-381/25A

RATED INPUT	25W
IMPEDANCE	8Ω
SOUND PRESSURE LEVEL	107dB (at 1m, 1W input)
FREQUENCY RESPONSE	250Hz~6.3kHz (Deviation 20dB)
DIFFUSION	40° x 40° (Horizontal x Vertical, 2000Hz/-6dB)
FINISH	Horn Mouth(ASA Resin): Silver Gray (Munsell 5GY8.5/0.5) Reflector(ASA Resin): Silver Gray (Munsell 5GY8.5/0.5) Cover(ASA Resin): Silver Gray (Munsell 5GY8.5/0.5) Bracket(SPHC): Silver Gray (Munsell 5GY8.5/0.5)
FITTINGS	U-shaped Bracket L size
DIMENSIONS	386(W) x 236(L) x 358(D) mm
MASS	Approx. 2.6kg
APPLICATION STANDARD	JIS C 0920(=IEC 60529, IP65)
ACCESSORIES	Instruction Manual x1



UNIT: mm

BUSINESS

J110