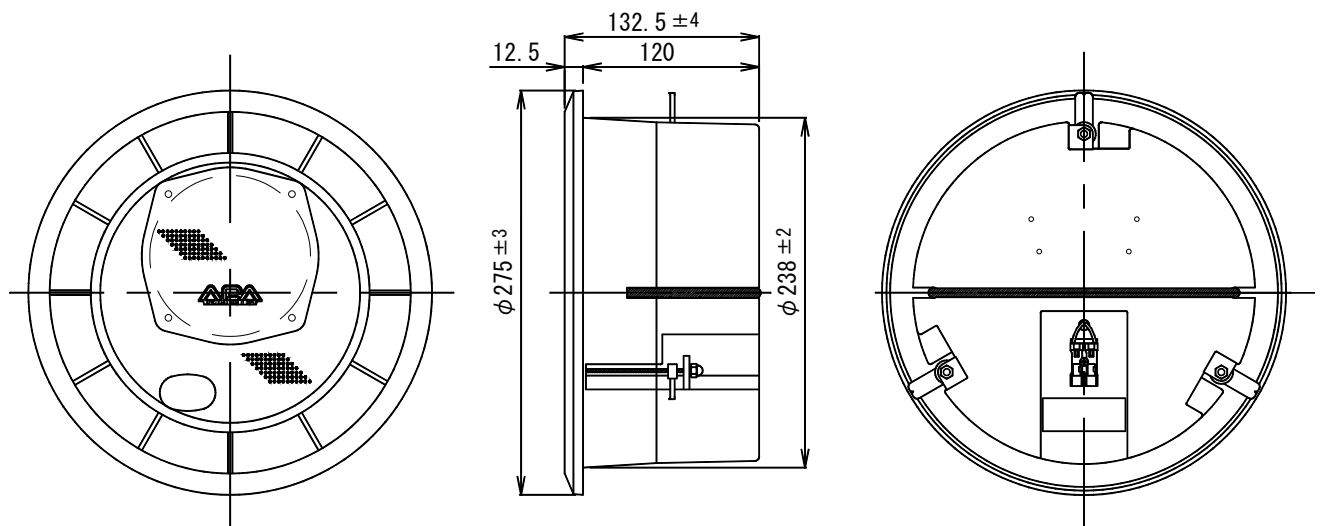


## CEILING SPEAKER

### DCS-60

INPUT	60W(RMS/EIA), 120W(PGM)
IMPEDANCE	8Ω
SOUND PRESSURE LEVEL	89dB(1W/1m)
FREQUENCY RESPONSE	60Hz~17kHz, ± 20dB
DIRECTIVE	170° x 155° (Horizontal x Vertical, at 2000Hz, -6dB)
SPEAKER	φ 12cm Cone type speaker
FINISH	Unit (PS resin): White (Munsell N9.5 approx.) Panel (ABS resin): White (Munsell N9.5 approx.) Punching net (Aluminum): Semi-matt White (Munsell N9.5 approx.)
MOUNTING HOLE-SIZE	φ 240mm~φ 250mm
DIMENSIONS	φ 275 x 132.5 (D) mm
MASS	Approx. 2.9kg
ACCESSORIES	Instruction manual x1, Panel x1, Wire x1



Unit: mm

BUSINESS

AJ08