

MICROPHONE HOLDER

MDH-1

FINISH

Holder (POM): Black
 Neck (ABS resin): Black
 Lod (Polycarbonate): Black
 Adaptor screw (Polycarbonate): Black

MASS

Approx. 55g

MICROPHONE DIAMETER

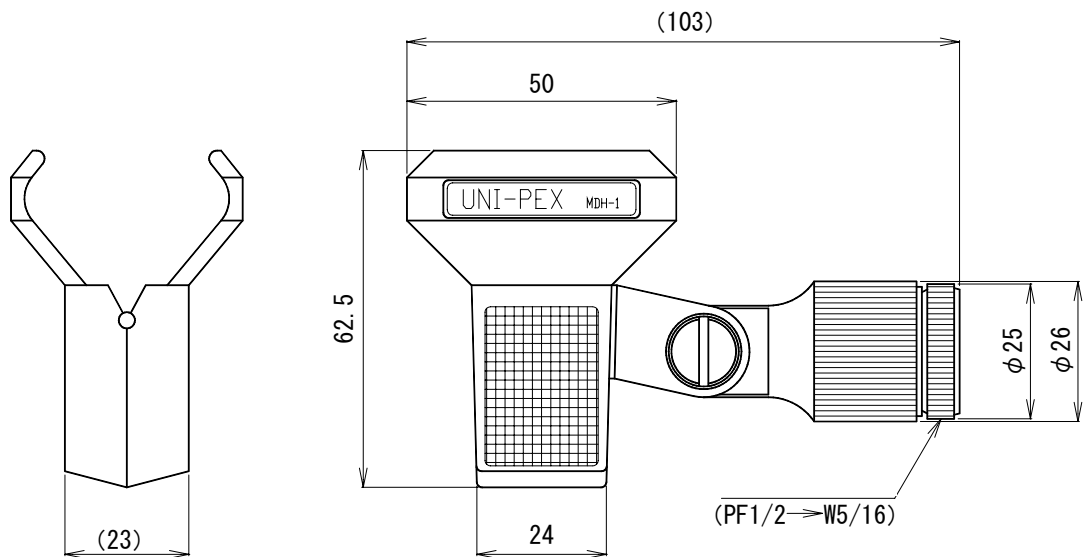
ϕ 18mm ~ ϕ 35mm

FITTING SCREW FOR STAND

PF1/2 or W5/16 (with Adaptor's screw)

ROTATE ANGLE

Approx. 180°



Unit: mm

Business

J109