

# Specification

**UNI-PEX**

## BOOM STAND

### MT-169

FINISH

Stand/Boom: (Steel), Chrome plating

DIMENSIONS

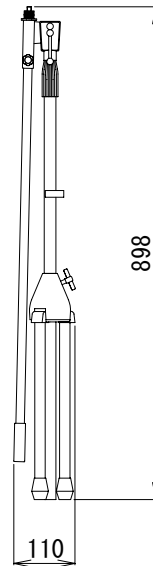
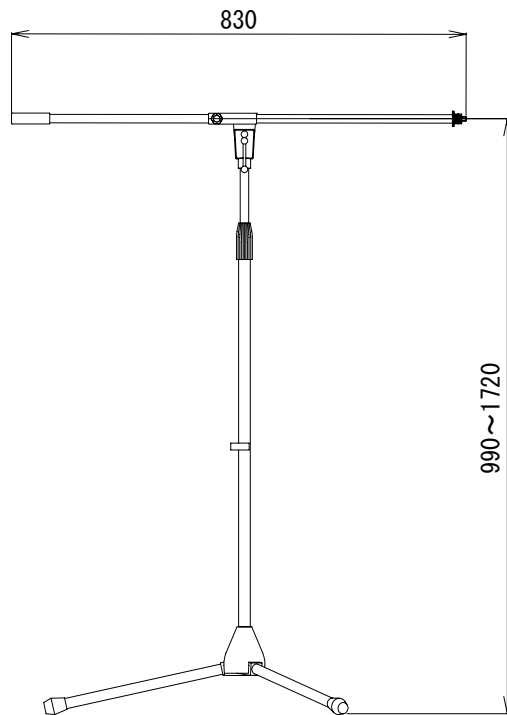
Adjustable height: 990~1720 mm, Base:  $\phi$  720 (Diam.) mm, Boom: 830 mm

ADAPTOR

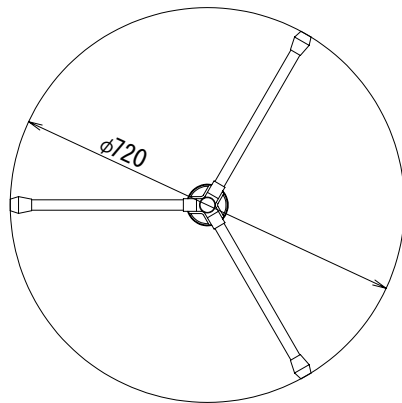
W5/16

MASS

Approx. 2.7kg



External when folding up



UNIT: mm

BUSINESS

JF07

Subject to change for improvement without notice.

製造元 日本電音株式会社 販売元 ユニペックス株式会社