

Specification

UNI-PEX

PANEL FOR PR-176, PR-176L

PL-233W

FINISH

Grille (ABS Resin): White (Munsell N9.5 approx.)

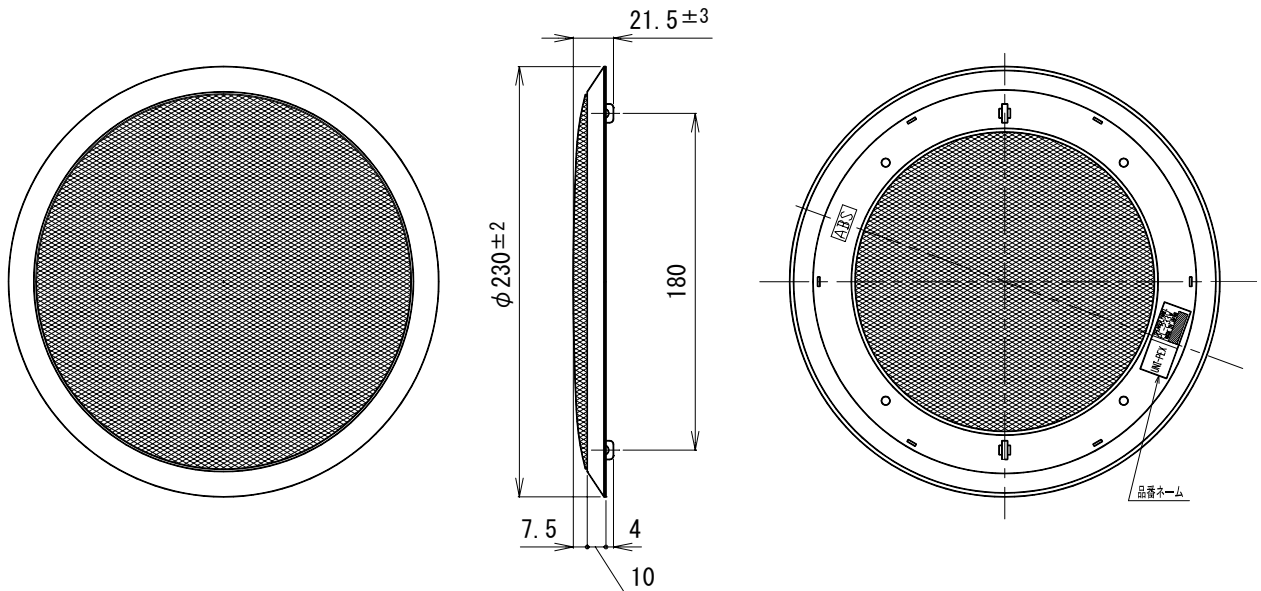
DIMENSIONS

Net (Expand metal): White (Munsell N9.5 approx.)

MASS

$\phi 230 \times 21.5$ (H) mm

Approx. 123g



UNIT: mm

BUSINESS

J104

Subject to change for improvement without notice.

製造元 日本電音株式会社 販売元 ユニペックス株式会社