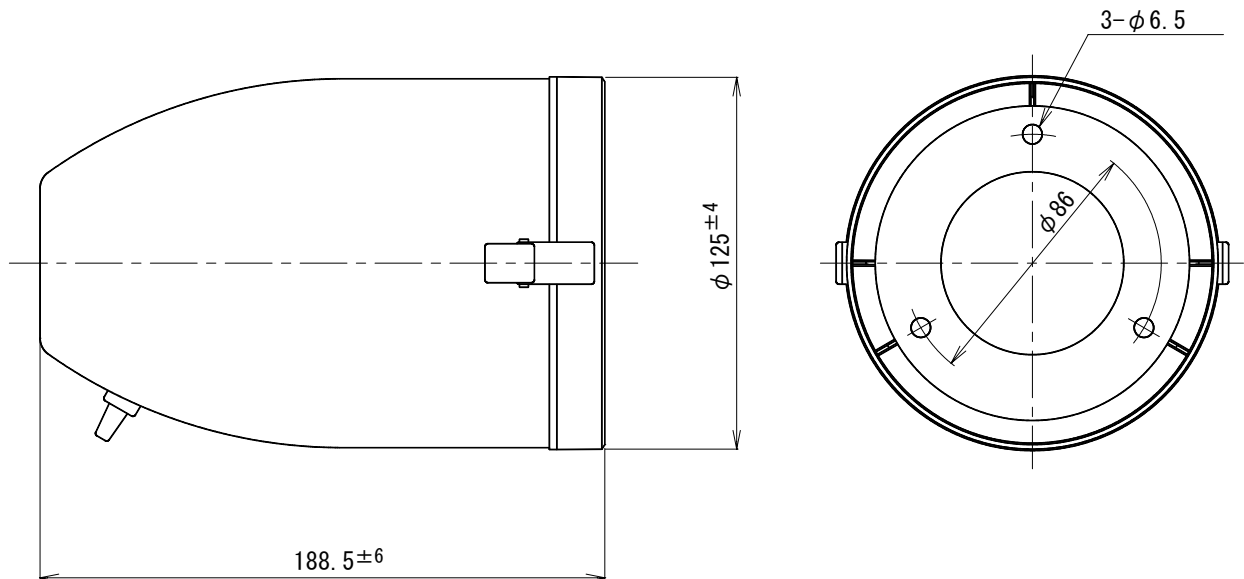


UNIT COVER

UC-8B

APPLICABLE HORN	UNPEX Reflex Horn
APPLICABLE UNIT	UNIPEX All type Driver units
FINISH	Cover: (Aluminum), Gray (Munsell N4.0 Approx.) Assembly ring: (ABS resin)
MASS	Approx. 240g



UNIT: mm

BUSINESS

JD01