

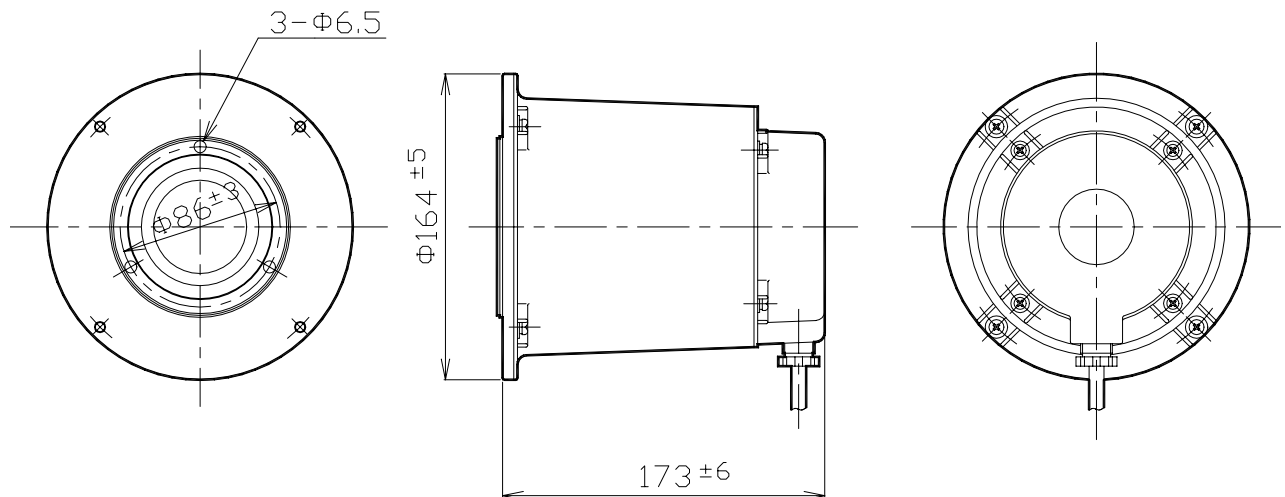
# Specification

**UNI-PEX**

## UNIT COVER

### UCS-51A

APPLICABLE HORN	UNPEX Reflex Horn
APPLICABLE UNIT	UNIPEX All type Driver units (Excluding P-15F)
FINISH	Cover/Throat: (Aluminum Die-cast), Gray (Munsell N4.0 Approx.)
SCREW	Stainless Steel
MASS	Approx. 1kg
ACCESSORIES	Gland Nut (10A) × 1, Cap tire cable × 1m, Stainless Screw (M4 × 20) × 3



UNIT: mm

BUSINESS

JD01

Subject to change for improvement without notice.

製造元 日本電音株式会社 販売元 ユニペックス株式会社