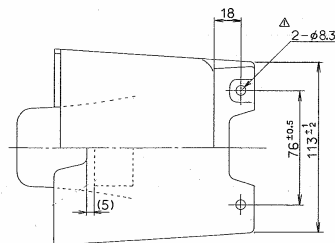
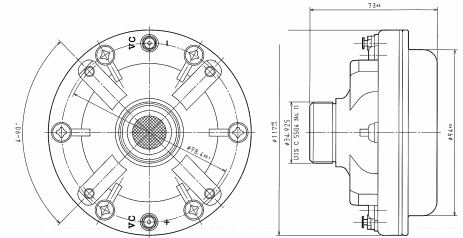
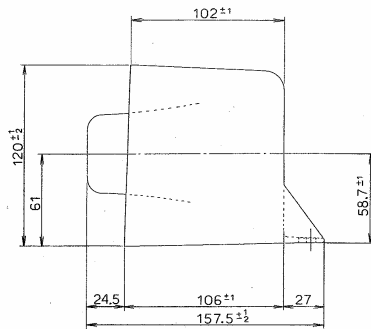
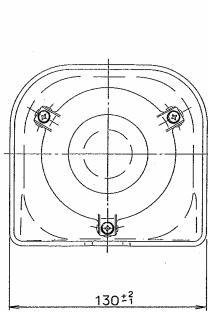


HORN SPEAKER and DRIVER UNIT

UF-770 and No.UF-D100N

Dimensions	UF-770	Diam. 130mm × 120mm	Length 157.5mm
	UF-D100N	Diam. ϕ 117mm	Length 73mm
Overall Length	About 188mm (UF-770 & UF-D100N)		
Rated Input	100W		
Impedance	11 Ω		
Sound Pressure Level	100dB or more (at 1m/1W, 4 point average at 1kHz, 1.5kHz, 2kHz, 3kHz)		
Frequency Response	300Hz ~ 5kHz (Deviation 20dB)		
Mass	UF-770	650g	
	UF-D100N	1.6kg	
Finish	UF-770	Munsell N5.5 approx. Gray	
	UF-D100N	Munsell N4.0 approx. Gray	



BUSINESS